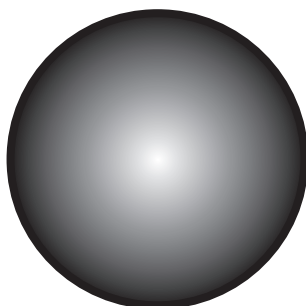
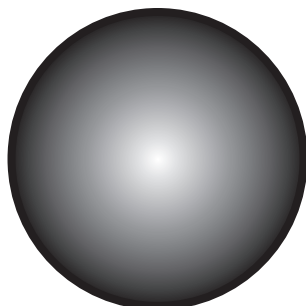
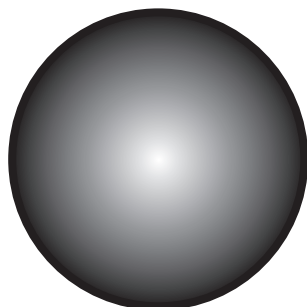
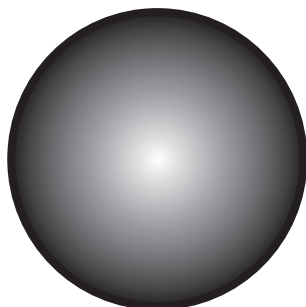


OWNER'S MANUAL

ARCLINE 6



VOID

OWNER'S MANUAL

ARCLINE 6



Features

- ▲ Close tolerance and durable components provide increased reliability and greater output.
- ▲ Accurately machined multi laminate birch plywood cabinets for superior strength.
- ▲ 120 degree wide dispersion for maximum coverage.
- ▲ Self contained flyware system with tilt adjustment in 2 degree steps.
- ▲ Components emanate from a single point to form a virtual arc, increasing HF extension and throw.
- ▲ Built in Electronic protection device for the HF drivers.
- ▲ Tough kick proof grills with foam filters protect the components from the heaviest of abuse.
- ▲ Three year warranty and guarantee.

System Connections

Arcline 6 has two inputs on its rear panel. When using an Arcline 6 with Arcline X subs, connect the Arcline X to an amplifier or amplifiers that use pins +1, -1 for the low output and pins +2, -2 for the mid hi output. Use a short cable wired +2, -2 to +2, -2 to connect from the Arcline X to the connector marked INPUT on the Arcline 6. If a separate cable is used from an amplifier to connect directly to an Arcline 6, use a cable wired +1, -1 to +1, -1 and connect to the input marked INPUT on the Arcline 6.

When linking two Arcline 6's, connect via the INPUT and LINK OUT connectors on both speakers. A cable wired +1, -1 to +1, -1 must be used when linking via the INPUT and LINK OUT connectors.

Each Arcline 6 has a nominal impedance of 8 ohms. An amplifier capable of delivering between 750 to 900 watts rms to each Arcline 6 is recommended.

System Assembly

Place an Arcline X into its desired position and place another Arcline X on top. Insert the winch up tower through both Arcline X subs making sure the winder handle faces rearwards. Next mount the cradle on to the top of the winch up stand. Extend the front mounting bars and insert the locking pins on one of the Arcline 6 enclosures. Lift the Arcline 6 on to the cradles bottom bar then lift the Arcline 6 until both front mounting bars are lined up with the cradles front mounting points. Insert both locking pins. Fit the rear mounting bar, adjust the tilt and then insert the locking pins. If a single Arcline 6 is to be used in a cradle insert 2 locking pins into the cradles telescopic tubes. If a further Arcline 6 is to be used, push the Arcline 6 up vertically until the telescopic tubes are fully extended and insert both locking pins. A further Arcline 6 can now be mounted under the top Arcline 6 by use of the mounting bars and locking pins.

During transit the locking pins can be store in the holes marked 'transit lock'. Doing so will stop any movement of the connecting bars during transit and reduce the risk of losing the locking pins.

Precautions

Please consider the following precautions during use :

1. Install Arcline 6 in a dry environment, do not expose the cabinet to rain or moisture.
2. When flying or mounting Arcline 6 ensure safe working practices and follow the recommended rigging guidelines. Check the flying system regularly for any defects or lose bolts and replace any worn or damaged pins.

TECHNICAL SPECIFICATIONS

	Arcline 6
Frequency Response :	60 Hz - 20 KHz -3dB
Sensitivity :	101 dB 1w/1m
Impedance :	8 ohms
Power Handling :	800 watts rms
Maximum Output :	129 dB cont 132 dB peak
Dispersion :	120 h x 12 v
Crossover Point :	900Hz passive
Driver Configuration :	4 x 6.5" neo 3 x 1" neo
Protection :	HF - Electronic device
Rigging, Mounting :	Wind up fly system with 2 degree tilt adjustment 0 - 10 degrees.
Construction :	15 mm multi laminate birch plywood
Finish :	Textured polyurethane
Connectors :	2 x 4 pole speakon
Dimensions :	538 mm wide 395 mm high 355 mm deep
Weight :	28.2 Kg net 31.6 Kg shipping

Service

This unit has very sophisticated circuitry and should only be serviced by a fully trained technician.

No user serviceable parts inside
Refer servicing to a qualified technician

Worldwide Service

Service may be obtained from your local authorised service centre. To obtain service, simply present your sales receipt as proof of purchase along with the defective unit to an authorised service centre. They will handle the necessary paperwork and repair. Remember to transport your unit in the original factory packaging.

1. When sending an Arcline Series product to an authorised service centre for service, please write a detailed description of the fault and list any other equipment used in conjunction with the faulty product. Send the fault description with the faulty product, do not send it separately.
2. Ensure safe transportation of your unit to the authorised service centre. Ship it in the original factory packaging if possible.
3. Do not ship the unit in any kind of rack. Ignoring this warning may result in extensive damage to the unit and the equipment rack. Accessories are not needed. Do not send the instruction manual, cables or any other hardware.
4. Before returning your faulty product for repair, please remember to get a return authorisation number from the dealer whom you purchased your product from. Failure to do so could delay the repair of your product.

Warranty Registration

Please take time to fill out the warranty registration form at the back of this manual and return it to Void Acoustics.

Environmental



WEEE Mark

If you want to dispose of this product, do not mix with general household waste. There are separate collection systems for used electronic products in accordance with legislation under the WEEE Directive (Directive 2002/96/EC) and is effective only within the European Union.

This product is Rohs compliant



LIMITED WARRANTY

THE WARRANTY

For a period of three (3) years from the date of delivery to the original purchaser (as shown on the original invoice or sales receipt), Void Acoustics (hereinafter "Void") warrants to the ORIGINAL OWNER of each new Arcline Series product (provided it was purchased at an Authorised Void Dealer) that it is free of defects in materials and workmanship and that each product will meet or exceed all factory published specifications for each respective model. Void agrees to repair or replace (at its discretion) all defective parts at no charge for labour or materials; subject to following provisions:

WARRANTY VIOLATIONS

Void shall take no responsibility for repair or replacement as specified under this warranty, if the damaged product has been subject to misuse, accident, neglect or failure to comply with normal maintenance procedures; or if the serial number has been defaced, altered or removed. Nor will Void accept responsibility for, or resulting from, improper alterations or unauthorised parts or repairs. This warranty does not cover any damage to speakers or any other consequential damage resulting from breach of any written or implied warranty.

VOID WARRANTY PROVISIONS

Void will remedy any defect, regardless of the reason for failure (except as excluded) by repair, or replacement. Void will remedy the defect and ship the product within a reasonable time after receipt of the defective product at an Void Authorised Service Centre.

TO OBTAIN WARRANTY SERVICE

In the event that a Void product requires service, the Owner must contact Void or an Authorised Void Service Centre to receive an R.A.N. (Return Authorisation Number) and instructions on how to return the product to the Void Authorised Service Centre, or to the factory. Void (or its Authorised Service Centre) will initiate corrective repairs upon receipt of the returned product. Please save the original carton and all the packing materials in case shipping is required. All products being returned to the factory or service centre for repairs must be shipped prepaid.

If the repairs made by Void or the Void Authorised Service Centre are not satisfactory, the Owner is instructed to give written notice to Void. If the defect or malfunction remains after a reasonable amount of attempts by Void to remedy the defect or malfunction, the Owner shall then have the option to elect either a refund or replacement of said Void product free of charge. The refund shall be an amount equal to but not greater than the actual purchase price, not including any taxes, interest, insurance, closing costs and other finance charges (minus reasonable depreciation on the product). If a refund is necessary, the Owner must make the defective or malfunctioning product available to Void free and clear of all liens or other restrictions.

MODIFICATIONS OF EQUIPMENT

Void reserves the right to modify or change equipment (in whole or part) at any time prior to delivery thereof, in order to include therein electrical or mechanical improvements deemed appropriate by Void, but without incurring any liability to modify or change any equipment previously delivered, or to supply new equipment in accordance with any earlier specifications.

DISCLAIMER OF CONSEQUENTIAL AND INCIDENTAL DAMAGES

YOU, THE OWNER, ARE NOT ENTITLED TO RECOVER FROM VOID ANY INCIDENTAL DAMAGES RESULTING FROM ANY DEFECT IN THE VOID PRODUCT. THIS INCLUDES ANY DAMAGE TO ANOTHER PRODUCT OR PRODUCTS RESULTING FROM SUCH A DEFECT.

WARRANTY ALTERATIONS

No person has the authority to enlarge, amend, or modify this Warranty. This Warranty is not extended by the length of time which the Owner is deprived of the use of product. Repairs and replacement parts provided pursuant to the Warranty shall carry only the non-expired portion of the Warranty.

THIS STATEMENT OF WARRANTY SUPERSEDES ALL OTHERS CONTAINED IN THIS MANUAL

Technical and design specifications are subject to change without notice

Void Acoustics Warranty



This Void Acoustics product is guaranteed against defects due to faulty materials or workmanship for a period of 3 years from the date of original purchase, subject to the following restrictions.

1. This warranty is only valid in the country of purchase.
2. That the product has not been abused or operated in conjunction with unsuitable or faulty apparatus.
3. That the product has not been modified, disassembled or tampered with by any person other than Void Acoustics technical staff.
4. That the product has not suffered damage in transit.

Do not send goods to Void Acoustics without first obtaining a return authorisation number.

Carriage costs to Void Acoustics will be returned to the customer if warranty work proves necessary. Packing, insurance and freight on the return journey will be paid by Void Acoustics or its authorised dealers.

This warranty in no way affects your statutory rights.

Void Acoustics

Unit 10B, Dawkins Road Ind Est, Poole, Dorset, BH15 4JD
Tel: +44 (0)870 1651 332 Fax: +44 (0)870 1651 352

Owner's Warranty Copy



Date of purchase

Model

Serial number

Suppliers name and address

Post code :

Tel :

What to do if your Void product needs repair

Contact the dealer from whom you purchased the product and get a return authorisation number.

Return the product (preferably in its original box) to :

Void Acoustics, Unit 10B, Dawkins Road Ind Est, Poole,
Dorset, BH15 4JD, UK.

Warranty Registration



Thank you for purchasing this Void product. Please complete this warranty registration card and cut off this part and send it to the address overleaf.

Date of purchase

Model

Serial number

Suppliers name and address

Post code :

Tel :

Your name and address

Post code :

Tel :

Void Acoustics

Unit 10B

Dawkins Road Ind Est

Poole

Dorset

BH15 4JD

UK

Getting Started

1. Carefully unpack all the speaker cabinets.
2. Place an Arcline X into its desired position and place another Arcline X on top. Insert the winch up tower through both Arcline X subs making sure the winder handle faces rearwards. Next mount the cradle on to the top of the winch up stand. Extend the front mounting bars and insert the locking pins on one of the Arcline 6 enclosures. Lift the Arcline 6 on to the cradles bottom bar then lift the Arcline 6 until both front mounting bars are lined up with the cradles front mounting points. Insert both locking pins. Fit the rear mounting bar, adjust the tilt and then insert the locking pins. If a single Arcline 6 is to be used in a cradle, insert 2 locking pins into the cradles telescopic tubes. If a further Arcline 6 is to be used, push the Arcline 6 up vertically until the telescopic tubes are fully extended and insert both locking pins. A further Arcline 6 can now be mounted under the top Arcline 6 by use of the mounting bars and locking pins.
3. (Connection Method 1. Using two Infinite 8's (X or V2 models) and the cables supplied in the accessory pack)

Each side of the system uses one amplifier. The connections for both left and right sides are identical. Connect the outputs of a Digidrive to the inputs of an amplifier. CH 1 on the amplifier will be bass and CH 2 will be mid hi. Connect one of the thick (4 way) 8 meter speaker cables to output CH 1 on the amplifier. Connect the other end of this cable to one of the speakons on the bottom Arcline X. Both speakons on an Arcline X are wired in parallel, so you can connect to either speakon. Link from the bottom to top Arcline X sub by using the 1 meter (4 way) link cable. Use the 3 meter (2 way) cable to connect from the top Arcline X to the speakon marked INPUT on the Arcline 6. Repeat the same connections for the other side of the system.

(Connection Method 2. Using separate amplifiers for Arcline X and Arcline 6 and an adaptor cable)

This connection method uses the same connections as method 1, but requires an adaptor to be made to connect the outputs of both amplifiers into the 4 way cable. The adaptor is made from two speakon plugs and one speakon socket. Wire a short length of cable to pins +1 and -1 on a speakon socket. The other end of this cable gets attached to a speakon plug wired +1, -1. Wire another short length of cable to pins +2, -2 on the speakon socket. The other end of this cable gets attached to a speakon plug wired +1, -1. The plug wired +1, -1 should be connected to the bass amplifier and the plug wired +2,-2 should be connected to the mid hi amplifier. The speakon socket should be connected to the end of the thick (4 way) 8 meter cable that would normally be connected to CH 1's output on an Infinite 8.

(Connection Method 3. Using separate amplifiers for Arcline X and Arcline 6)

Connect one of the thick 8 meter speaker cables to one channel of the bass amplifier. Connect the other end of this cable to one of the speakons on the bottom Arcline X. Both speakons on an Arcline X are wired in parallel, so you can connect to either speakon. Link from the bottom to top Arcline X subs by using the 1 meter link cable. Use a 10 meter cable (not supplied) wired +1, -1 to +1, -1 and connect one end to the mid hi amplifier. Connect the other end to the speakon marked INPUT on the Arcline 6. Repeat the same connections for the other channel of the system.

4. When using two Arcline 6's per side, link via the LINK OUT and INPUT speakons on the rear of the Arcline 6's with a 2 way cable wired +1, -1 to +1, -1.

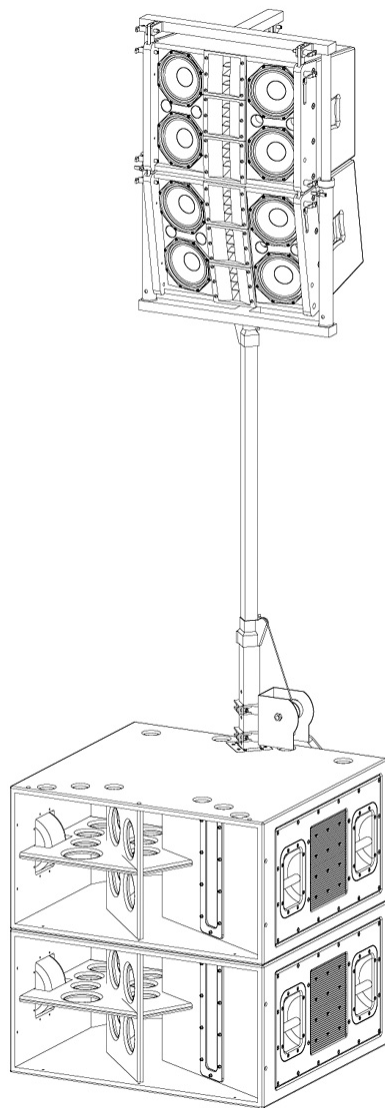
Precautions

Only connect an Arcline 6 to an Arcline X with a cable wired +2, -2 to +2, -2. If a cable wired +1, -1 to +1, -1 is used the Arcline 6 will receive the same signal as the Arcline X.

Warranty Registration

Please take time to fill out the warranty registration form at the back of the manual and return it to Void Acoustics

Arcline Assembly Diagram



Complete assembly of
2 x Arcline X and 2 x Arcline 6

